



ThermalRite
 15600 37th Ave N Suite 100
 Plymouth, MN 55446
 USA
 800-328-3968
 www.thermalrite.com

Project Name: _____

Location: _____

Item #: _____ Qty: _____

Model: GA223 Desmon Series



Desmon Refrigerated Cold Wall Condiment Rail can be purchased separately or as part of one of our complete pizza prep table units. This unit can be used for any pizza prep table with an overall width of at least

88-3/8". This condiment rail is designed to keep refrigerated ingredients close at hand in a glass-protected environment. This self-contained refrigeration unit is manufactured in Italy with the highest regard for quality and energy efficiency.

GA223

**Specifications for Refrigerated Condiment Rail
 (Glass Display Unit to be used with Pizza Prep Table)**

Desmon Refrigerated Condiment Rail, an above-the-counter, refrigerated glass display unit, can be purchased separately or as part of one of our complete pizza prep table units.

PAN CAPACITY

10 ea 1/3-pans (not included)

DIMENSIONS

87-7/8"W x 15-1/8"D x 17-3/4"H

ELECTRICAL SUPPLY

115/60/1

HP

1/12

FLA/Circuit Ampacity

1.8/15

WATTS

140

Standard Features

- Easy-to-use electronic control
- Front-mounted on/off switch and temperature regulation setting
- Energy-efficient refrigeration system
- Auto Evaporation
- Manual defrost
- CFC/HCFC-free cyclopentane foam insulation is 2" thick
- AISI 304 Grade Stainless Steel interior and exterior
- Interior rounded corners for easy cleaning
- Holds 10 ea 1/3-pans (not incl)
- Meets the guideline demands of HAACP

Warranty

- 2-year Parts and Labor Warranty

Environment

- Manufactured with the environment in mind
- Ecological, R134a refrigerant
- CFC/HCFC-free cyclopentane foaming extends effectiveness of insulation
- Lower energy consumption and fewer CO₂ emissions
- Made of nearly 99% recyclable materials
- ISO 14001 Certified

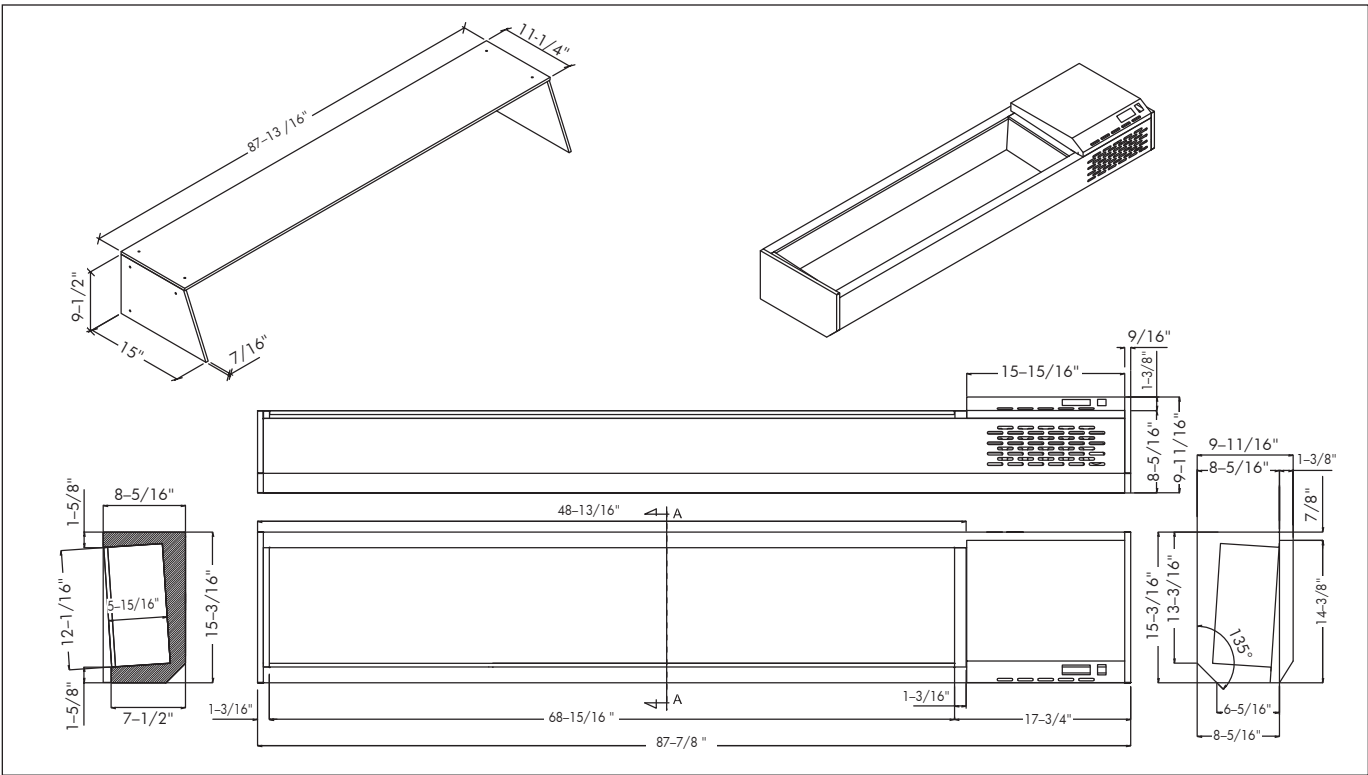
Approval:	Date:



ThermalRite
 15600 37th Ave N Suite 100
 Plymouth, MN 55446
 USA
 800-328-3968
 www.thermalrite.com

Project Name: _____
 Location: _____
 Item #: _____ Qty: _____

Model: GA223 Desmon Series



Standard Features

Design

Desmon Refrigerated Condiment Rails, designed and manufactured in Italy, are an outstanding value in today's foodservice marketplace. Ample pan capacity provides space to keep your ingredients at the right temperatures. Designed by professionals to include ergonomic features intended to increase the user's productivity. Focusing on the latest technology and high quality materials and components, this unit offers reliable product temperatures, lower utility costs, and the ability to adhere to food safety standards.

Cabinet Construction

Sturdy, stainless steel construction for durability and to resist scratches and dents. External bottom is galvanized steel.

- Insulation with CFC-free, environmentally friendly, cyclopentane foaming keeps insulating properties effective longer than other foams.
- Insulation thickness of 2" is more than that offered by most competitors
- Interior rounded corners for easy cleaning

Refrigeration System

- Factory engineered, self-contained, cold wall system using environmentally friendly, CFC-free R134a refrigerant.

Model Features

- Front-mounted, on-off switch for easy access.
- Easy-to-read temperature on digital display.
- Rounded interior corners for easy cleaning

Electrical

- Unit completely pre-wired at factory and ready for final connection to a dedicated outlet
- Cord and plug included
- 115V/60Hz/1 phase – 15 amp

Warranty

- 2-year Warranty on parts and labor

MODEL	DIMENSIONS			AMBIENT TEMP	SHIPPING	
	WIDTH	DEPTH	HEIGHT		DIMENSIONS	WEIGHT
GA223	87-7/8"	15"	17-3/4"	100.4 °F	90-1/8" x 16-1/8" x 11-3/4"	132
INCH						
METRIC [MM]	2230	380	450	+38 °C	2290 x 430 x 300	58

ELECTRICAL DATA								COMPRESSOR
VOLTS	HZ	PH	AMPS	AMP FUSE	NEMA	CORD LENGTH	WATT	HP
115	60	1	1.6	15	5-15	8'	140	1/12

Specifications subject to change without notice.
 *Two wire shelves are included. Please order any additional shelves separately.



Cold Storage Solutions

GA2230113